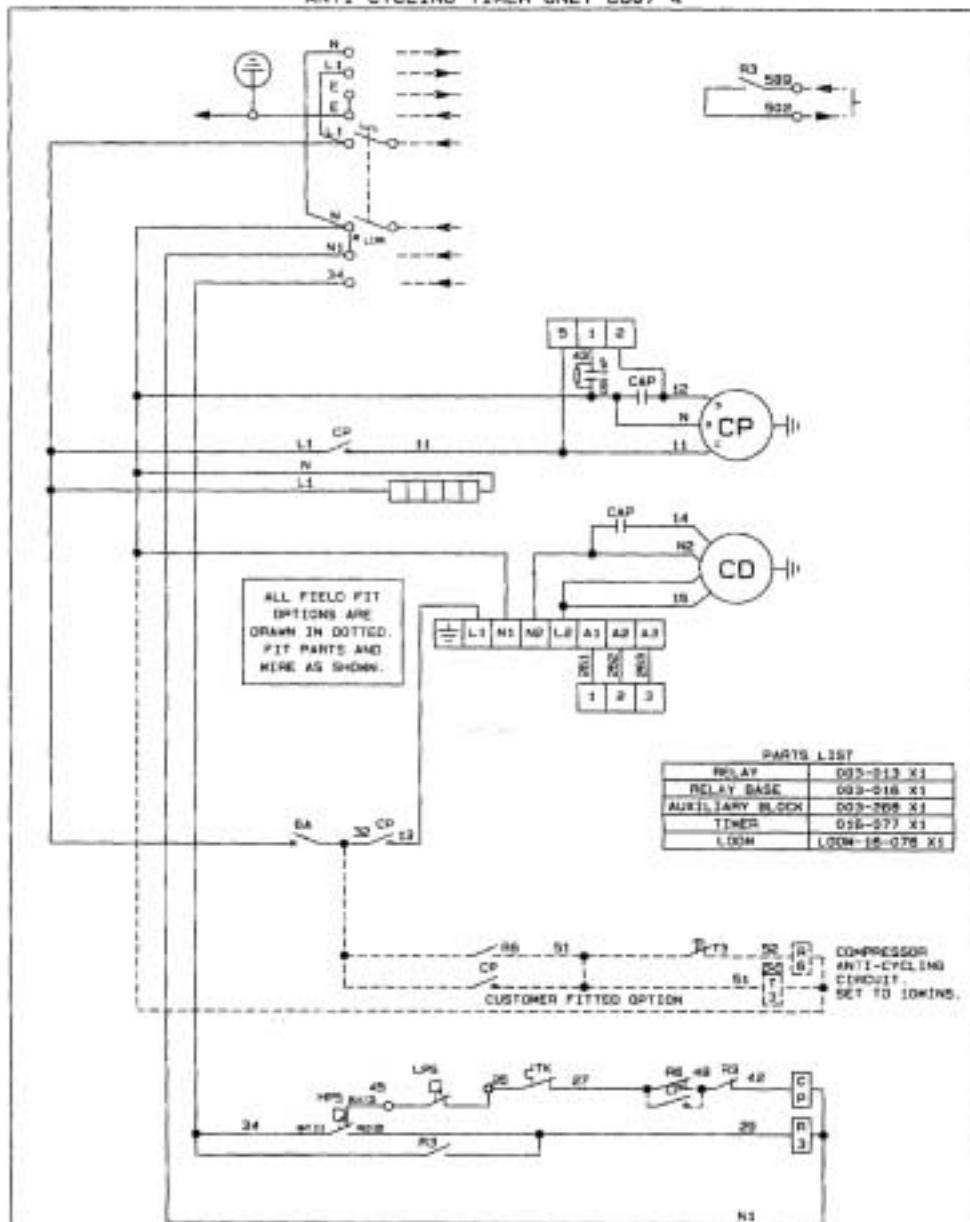


ANTI CYCLING TIMER ONLY CU07-4



ALL FIELD FIT
OPTIONS ARE
DRAWN IN DOTTED.
FIT PARTS AND
WIRE AS SHOWN.

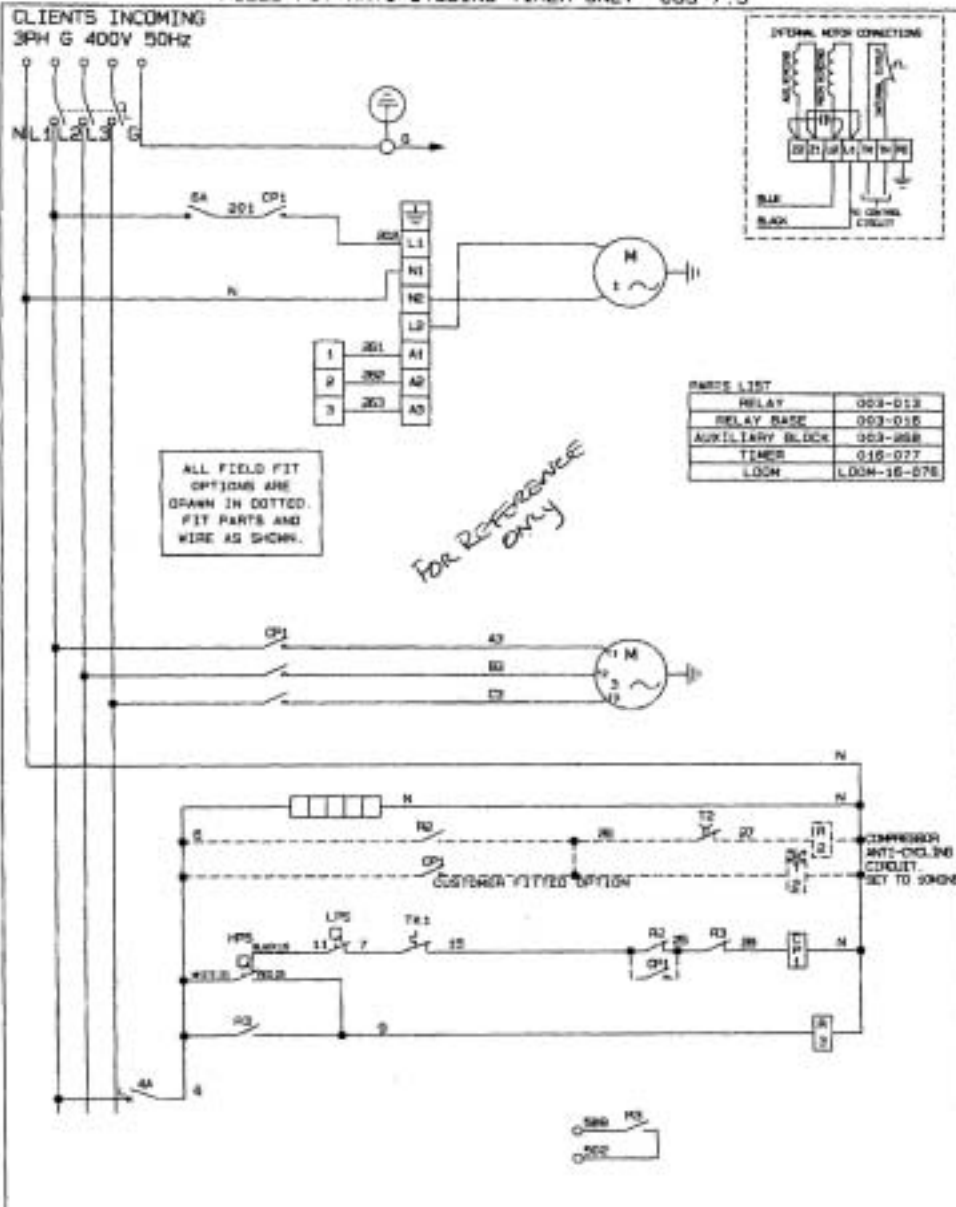
PARTS LIST

RELAY	003-013 X1
RELAY BASE	003-016 X1
AUXILIARY BLOCK	003-269 X1
TIMER	006-077 X1
LOOM	LOOM-16-076 X1

COMPRESSOR
ANTI-CYCLING
CIRCUIT.
SET TO 10MIN.

		TITLE: P1007-21 DRAWN: L.C. CHECKED: L.C. APPROVED: L.C.	PART NUMBER: 800-003 ORDER NO: 010-04-0073
NO. 1007 DATE:	NAME: L.C. DETAILS OF WORK STATION:	THIS DRAWING IS THE PROPERTY OF THE AIRDALE GROUP OF COMPANIES. IT IS NOT TO BE REPRODUCED OR TRANSMITTED IN ANY FORM OR BY ANY MEANS, ELECTRONIC OR MECHANICAL, INCLUDING PHOTOCOPYING, RECORDING, OR BY ANY INFORMATION STORAGE AND RETRIEVAL SYSTEM, WITHOUT THE WRITTEN PERMISSION OF AIRDALE GROUP OF COMPANIES.	DRAWN BY: L.C. CHECKED BY: L.C. APPROVED BY: L.C.

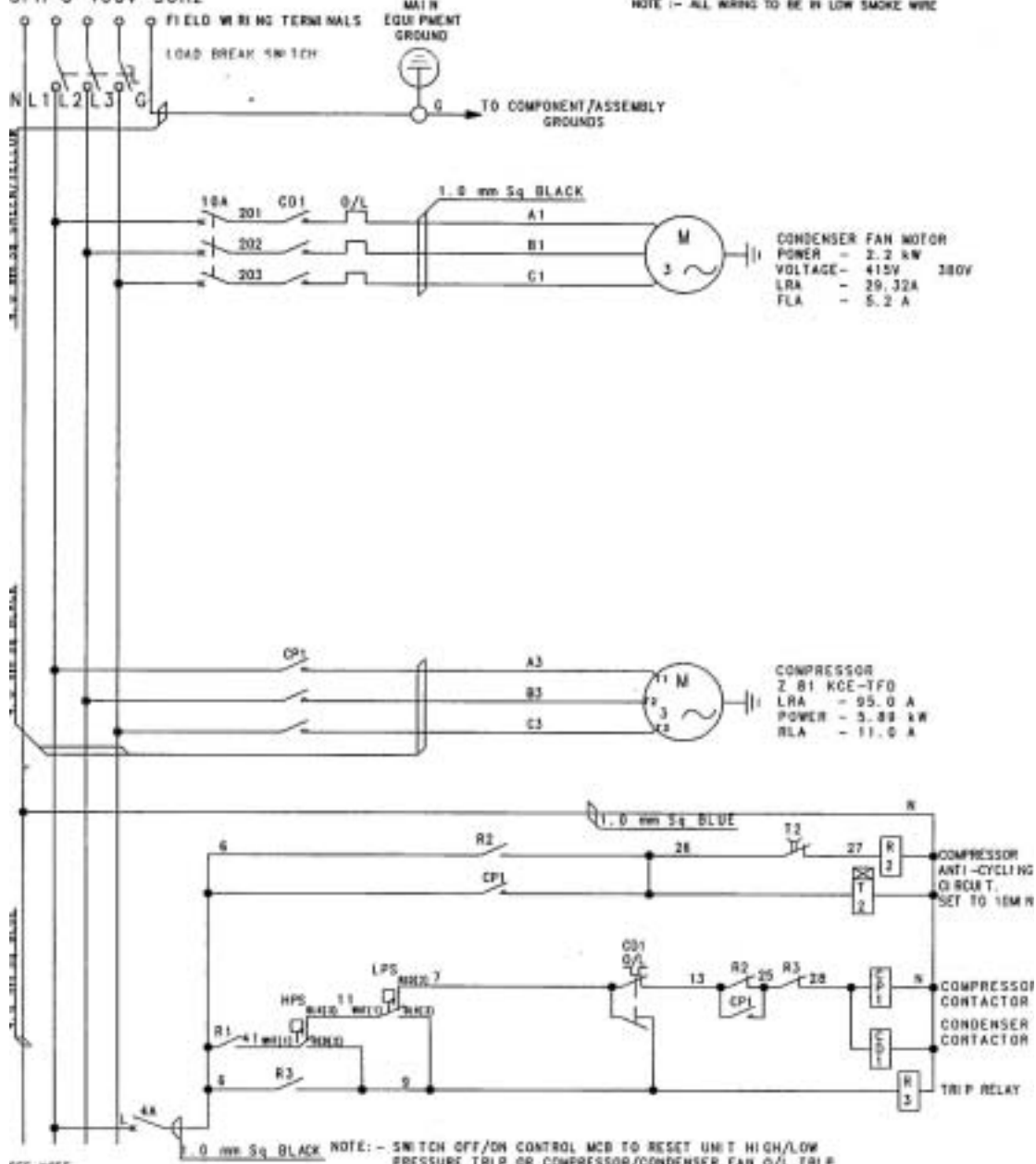
FIELD FIT ANTI CYCLING TIMER ONLY CUS-7.5



A. REP. 200401 L. C.		FIELD ISSUE		800-010		00-04-0074	
DATE	NAME	DETAILS OF MODIFICATION	DATE AND INITIALED	APPEND	REV	DATE	BY

CLIENTS INCLUDING
3PH G 400V 50Hz

NOTE 1 - ALL WIRING TO BE IN LOW SMOKE WIRE



SEE NOTE

578 R COOLING SIGNAL FROM INDOOR A. H. U.

VOLT FREE CONTACTS FOR TRIP INDICATION

Note: -FOR 24 VOLT EXTERNAL WIRING TWN CORE 0.5mm Sq INSULATED CABLE WOULD SUFFICE FOR UP TO 30 METER RUN. RELAY R1 MUST OPERATE IN LINE WITH THE AIR-HANDLING UNIT COOLING SIGNAL. (WARNING) SIGNAL MUST BE 24 VOLTS.

UNIT	R. L. A	FUSE
CFCUS6	16.2A	32A
400V		

AIREDALE		FILE: 1001/001	DATE: 10/01/00	SCALE: 1:1
AIREDALE		DESIGNER: M. J. O'NEILL	CHECKED: M. J. O'NEILL	DATE: 10/01/00
AIREDALE		DRAWN: M. J. O'NEILL	CHECKED: M. J. O'NEILL	DATE: 10/01/00