

INSTALLATION INSTRUCTIONS

discharge air deflectors

models V/VN, VE, PT/PTN, WPC/WPN, WVC/WVN

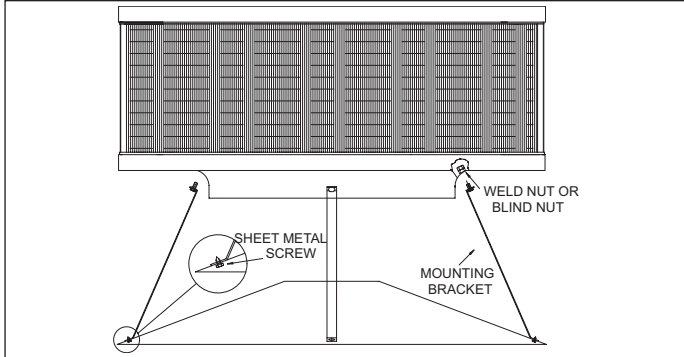
⚠ WARNING

The use of this manual is specifically intended for a qualified installation and service agency. All installation and service of these units must be performed by a qualified installation and service agency. Modine manuals may contain excerpts from component supplier literature adapted for Modine products. Any accompanying component supplier literature is for general information.

Truncone

Start sheet metal screws into 1/8" hole in mounting bracket. Fasten brackets to bottom cover of unit heater with machine screws through the mounting brackets into the blind nuts. See Figure 1.1.

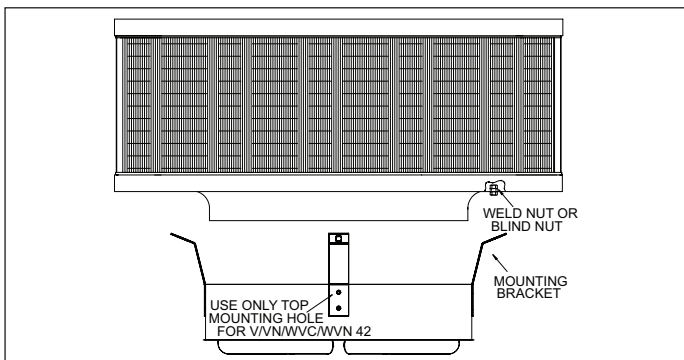
Figure 1.1 - Models V/VN/WVC/WVN 42-610 & VE 50-500



Cone Jet

Fasten cone jet mounting bracket to cone jet with screws. Fasten cone jet to bottom cover with machine screws. See Figure 1.2.

Figure 1.2 - Models V/VN/WVC/WVN 42-610 & VE 50-500



Louver

All Models Except V/PT/WVC/WPC952

Fasten louver mounting brackets to louver with screws. Fasten louver assembly to bottom cover of unit heater with machine screws. Tighten all screws securely. See Figure 1.3.

Figure 1.3 - Models V/VN/WVC/WVN 42-610 & VE 50-500

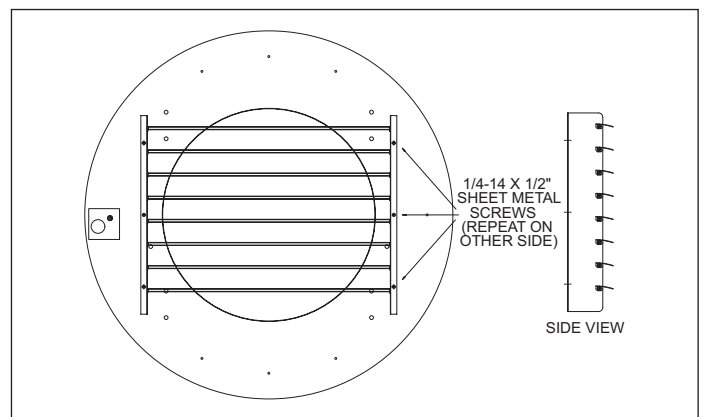


One-Way Louver

Models V/PT/WVC/WPC952 Only

Fasten one-way louver mounting bracket to one-way louver with the screws & nuts. Fasten assembly to unit. It may be necessary to remove the outlet fan guard. See Figure 1.4

Figure 1.4 - Models V/WVC952 and PT/WPC952

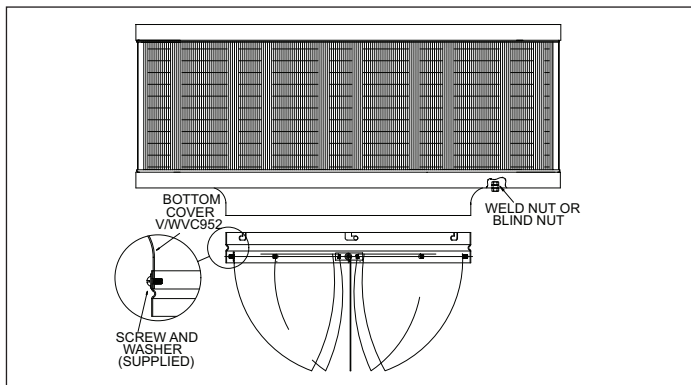


INSTALLATION

Two-Way Louver - Model V/WVC952 Only

Fasten two-way louver mounting bracket to two-way louver with the screws & nuts. Fasten assembly to unit. It may be necessary to remove the outlet fan guard. See Figure 2.1.

Figure 2.1 - Models V/WVC952



NOTE: Some vertical unit heaters will not have weld nuts in the bottom cover. In these cases, insert the blind nuts included in the kit into the holes in the bottom cover from the outside. The air deflector is then mounted to the unit by tightening machine screws through the mounting brackets into the blind nuts.