

## SUBMITTAL DATA commercial fin tube radiation

### Model S Slope Top

Job name & location \_\_\_\_\_

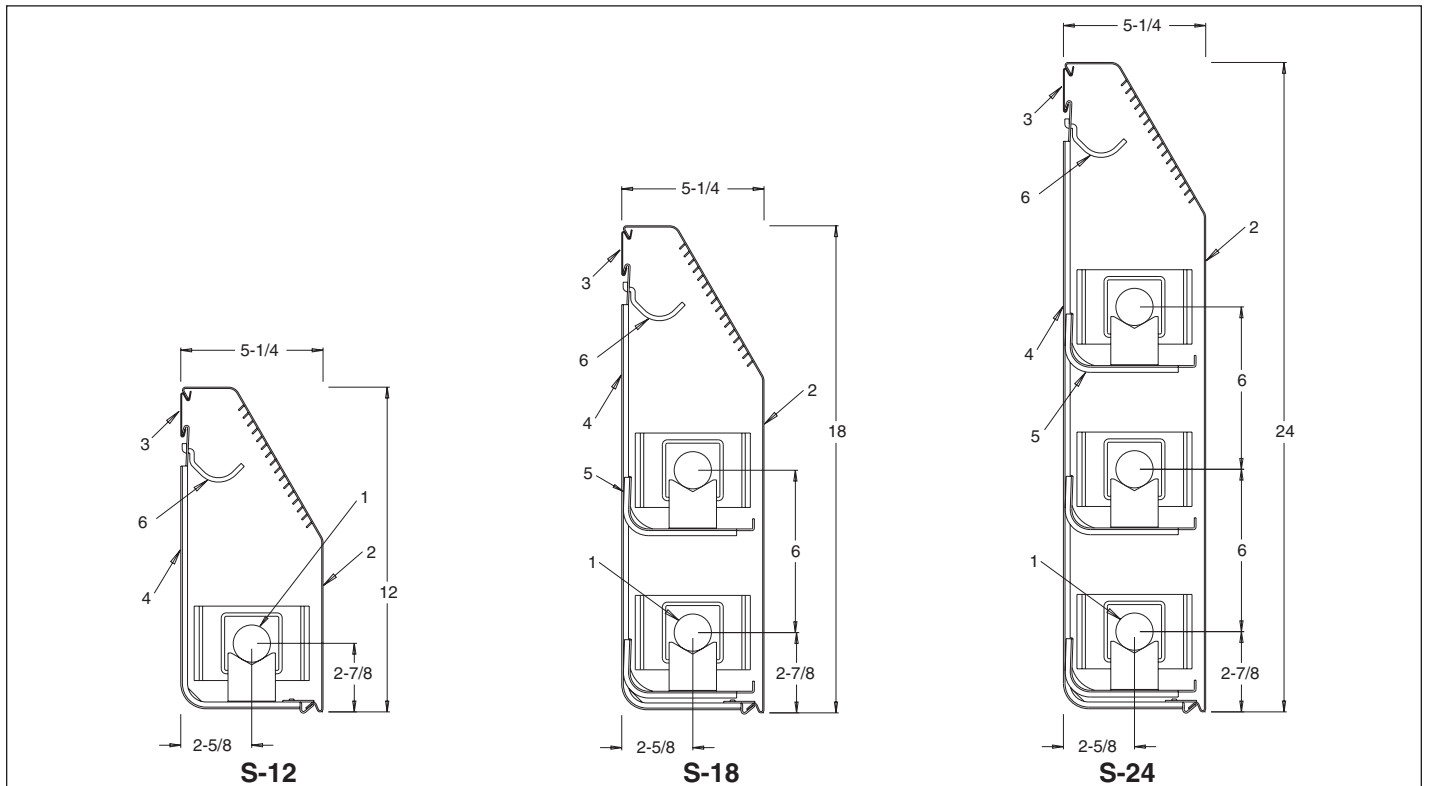
Architect \_\_\_\_\_ Engineer \_\_\_\_\_

Contractor \_\_\_\_\_ Order No. \_\_\_\_\_

Submitted by \_\_\_\_\_

Date \_\_\_\_\_

Sheet \_\_\_\_\_ of \_\_\_\_\_



- |                     |                                    |
|---------------------|------------------------------------|
| 1 - Heating Element | 4 - Enclosure Wall Support (EWS)   |
| 2 - Enclosure       | 5 - Element Support Assembly (ESA) |
| 3 - Hanger Strip    | 6 - Return Pipe Hanger             |

### Enclosure Specifications

Lengths: 2' to 8' in 6" increments

Model:  S-12     S-18     S-24

Gauge:  18 ga.     16 ga.     14 ga.

Standard Baked Enamel Finish:  TR-13 Tan

Optional Baked Enamel Finish:

Per AIR75-402 \_\_\_\_\_

Per AIR75-400 \_\_\_\_\_

Dampers:  Knob Operated     Tamper Proof

### Heating Element Specifications

Seamless copper tube diameter:

3/4"     1"     1-1/4"

Aluminum fin size:

4-1/4" x 4-1/4"     2-3/4" x 4-1/4"

Aluminum fins/ft:

34     42     50

Rows of Elements:

1     2 @ 12"

2 @ 6"     3 @ 6"

### Performance

Average water temperature \_\_\_\_\_ °F

Water flow rate: \_\_\_\_\_ GPM, \_\_\_\_\_ Ft/sec.

Steam Pressure: \_\_\_\_\_ psi

Entering Air Temperature: \_\_\_\_\_ °F

Rating: \_\_\_\_\_ Btu/hr/ft

# AIR12-420.1

## Model S Slope Top Enclosure Supports

Enclosure wall supports (EWS):

- 12" enclosure  EWS-12
- 18" enclosure  EWS-18
- 24" enclosure  EWS-24

Enclosure wall support (EWS) with one element cradle attached:

- 12" enclosure  EWS-1275  EWS-1212
- 18" enclosure  EWS-1875  EWS-1812
- 24" enclosure  EWS-2475  EWS-2412

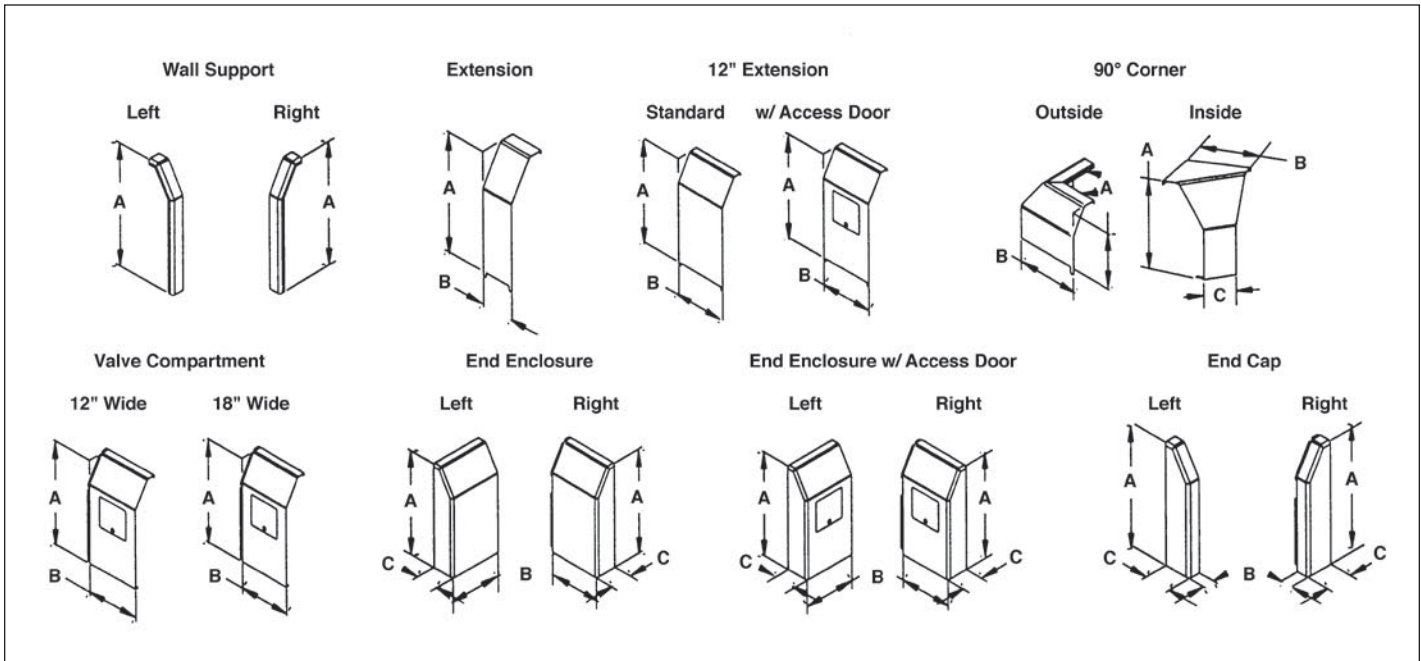
Element support assembly (ESA):

- 3/4" & 1" tube  ESA-75
- 1-1/4" tube  ESA-12

## Accessories - 20 gauge

- 12" enclosure
- 18" enclosure
- 24" enclosure
- Wall support - left
- Wall support - right
- 5" Wide enclosure extension (O)
- 12" Wide enclosure extension (O)
- 12" Wide enclosure extension w/access door (O)
- 90° Inside corner (O)
- 90° Outside corner (O)
- 12" Wide valve compartment (S)
- 18" Wide valve compartment (S)
- 12" Wide end enclosure - left (S)
- 12" Wide end enclosure - right (S)
- 12" Wide end enclosure w/access door - left (S)
- 12" Wide end enclosure w/access door - right (S)
- End cap - left (S)
- End cap - right (S)

(O) overlapping fit (S) slip joint fit to enclosure



Enclosure	12" Extension		90° Corner		Valve Compartment		End Enclosure					
	Dim	Wall Support	Extension	Standard	w/Access Door	Inside	outside	12" Wide	18" Wide	Standard	w/Access Door	End Cap
S-12/18/24	A	12/18/24	12/18/24	12/18/24	12/18/24	12/18/24	12/18/24	12/18/24	12/18/24	12/18/24	12/18/24	12/18/24
	B		5	12	12	8.25	9	12	18	12	12	2.25
	C					4.25				5.25	5.25	5.25