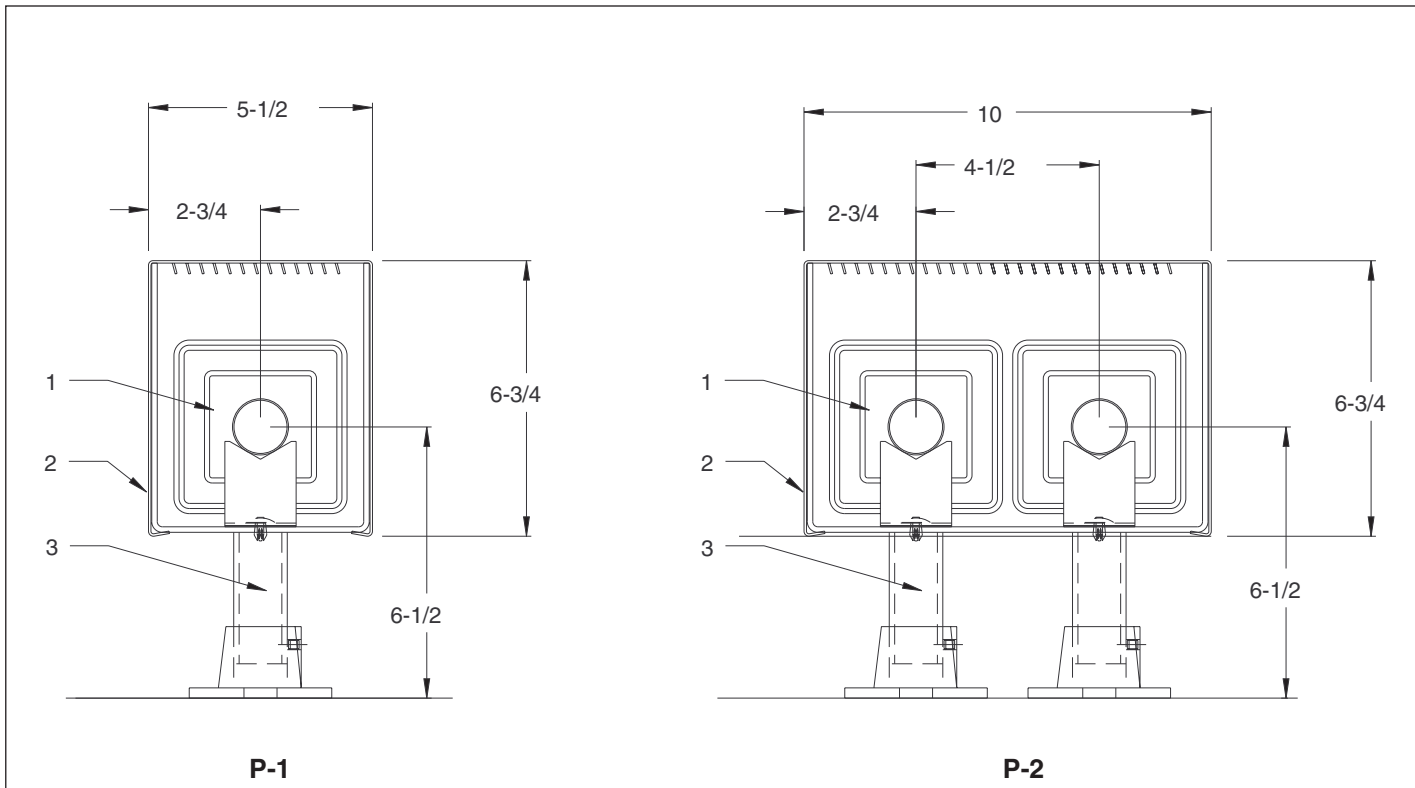


SUBMITTAL DATA commercial fin tube radiation

Model P Pedestal Style

Job name & location _____
 Architect _____ Engineer _____
 Contractor _____ Order No. _____
 Submitted by _____

Date _____
 Sheet _____ of _____



- 1 - Heating Element
- 2 - Enclosure
- 3 - Hanger Strip

- 4 - Enclosure Wall Support (EWS)
- 5 - Element Support Assembly (ESA)
- 6 - Return Pipe Hanger

Enclosure Specifications

Lengths: 2' to 8' in 6" increments
 Model: P-1 P-2
 Gauge: 16 ga. 14 ga.
 Standard Baked Enamel Finish: TR-13 Tan
 Optional Baked Enamel Finish:
 Per AIR75-402 _____
 Per AIR75-400 _____

Heating Element Specifications

Seamless copper tube diameter:
 3/4" 1" 1-1/4"
 Aluminum fin size:
 4-1/4" x 4-1/4" 2-3/4" x 4-1/4"
 Aluminum fins/ft:
 34 42 50

Performance

Average water temperature _____ °F
 Water flow rate: _____ GPM, _____ Ft/sec.
 Steam Pressure: _____ psi
 Entering Air Temperature: _____ °F
 Rating: _____ Btu/hr/ft

AIR12-427.1

Model P Pedestal Style Pedestal Supports

Includes floor flange

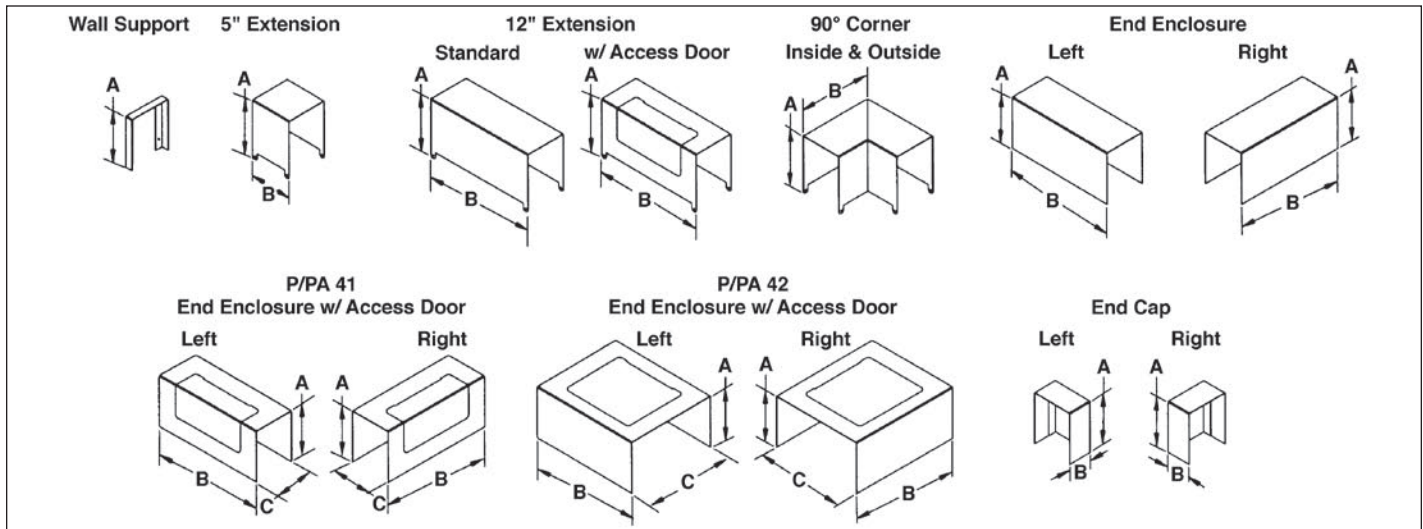
	<u>3/4" & 1" tube</u>	<u>1-1/4" tube</u>
1 row	<input type="checkbox"/> PED-175	<input type="checkbox"/> PED-112
2 row	<input type="checkbox"/> PED-275	<input type="checkbox"/> PED-212

Recommended: **at least** two pedestals for each enclosure section.

Accessories - 20 gauge

- | | | |
|---|--------------------------------|---|
| <input type="checkbox"/> 1 row | <input type="checkbox"/> 2 row | <input type="checkbox"/> 12" Wide end enclosure - left (S) |
| <input type="checkbox"/> Wall support - left | | <input type="checkbox"/> 12" Wide end enclosure - right (S) |
| <input type="checkbox"/> Wall support - right | | <input type="checkbox"/> 12" Wide end enclosure w/access door - left (S) |
| <input type="checkbox"/> 5" Wide enclosure extension (O) | | <input type="checkbox"/> 12" Wide end enclosure w/access door - right (S) |
| <input type="checkbox"/> 12" Wide enclosure extension (O) | | <input type="checkbox"/> End cap - left (S) |
| <input type="checkbox"/> 12" Wide enclosure extension w/access door (O) | | <input type="checkbox"/> End cap - right (S) |
| <input type="checkbox"/> 90° Inside corner (O) | | |
| <input type="checkbox"/> 90° Outside corner (O) | | |

(O) overlapping fit (S) slip joint fit to enclosure



Accessory Dimensions

Enclosure	12" Extension					End Enclosure		End Enclosure w/ Access Door	End Cap	
	Dim.	Wall Support	5" Extension	Std. & w/Acc. Door	90° Corner	Left	Right	PA 41	Left	Right
P 1 row	A	6.75	6.75	6.75	6.75	6.75	6.75	6.75	6.75	6.75
	B		5	12	9.28	12	12	12	2.25	2.25
	C							5.5		

Enclosure	12" Extension					End Enclosure		End Enclosure w/ Access Door	End Cap	
	Dim.	Wall Support	5" Extension	Std. & w/Acc. Door	90° Corner	Left	Right	PA 42	Left	Right
P 2 row	A	6.75	6.75	6.75	6.75	6.75	6.75	6.75	6.75	6.75
	B		5	12	13.78	12	12	12	2.25	2.25
	C							10		