

SUBMITTAL DATA commercial fin tube radiation

Model FT Flat Top Element Cover

Job name & location _____

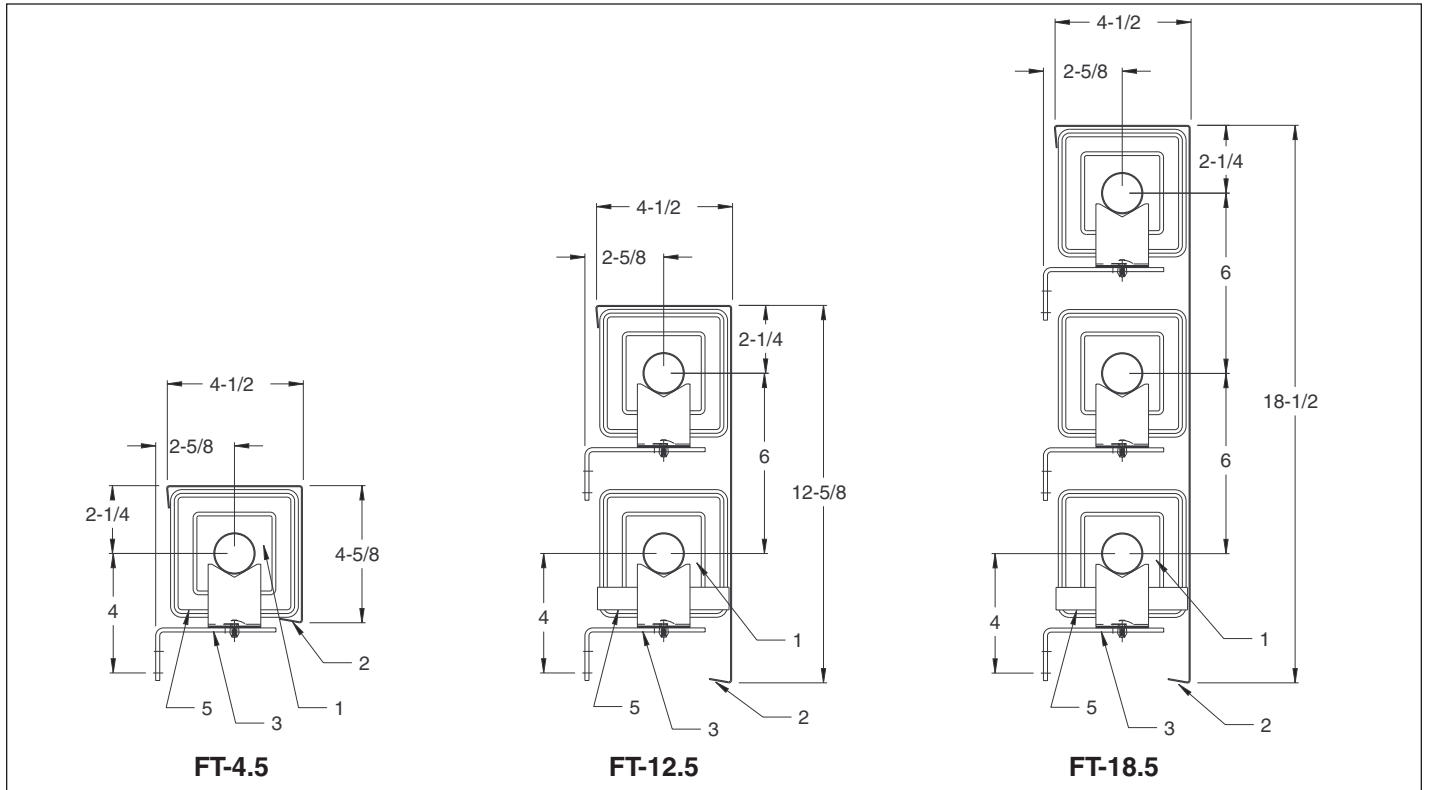
Architect _____ Engineer _____

Contractor _____ Order No. _____

Submitted by _____

Date _____

Sheet _____ of _____



- 1 - Heating Element
- 2 - Enclosure
- 3 - Hanger Strip
- 4 - Enclosure Wall Support (EWS)
- 5 - Element Support Assembly (ESA)
- 6 - Return Pipe Hanger

Enclosure Specifications

Lengths: 2' to 8' in 6" increments

Model: FT-4.5 FT-12.5 FT-18.5

Gauge: 18 ga.

Standard Baked Enamel Finish: TR-13 Tan

Optional Baked Enamel Finish:

Per AIR75-402 _____

Per AIR75-400 _____

Heating Element Specifications

Seamless copper tube diameter:

3/4" 1" 1-1/4"

Aluminum fin size:

4-1/4" x 4-1/4" 2-3/4" x 4-1/4"

Aluminum fins/ft:

34 42 50

Rows of Elements:

1

2 @ 6" 3 @ 6"

Performance

Average water temperature _____ °F

Water flow rate: _____ GPM, _____ Ft/sec.

Steam Pressure: _____ psi

Entering Air Temperature: _____ °F

Rating: _____ Btu/hr/ft

AIR12-429.1

Model FT Flat Top Element Cover Support Brackets

EB - Expansion Bracket 3/4" & 1" tube 1-1/4" tube
 EB-75 EB-12

FB - Fixed Bracket Same for all sizes

UNI - E Alignment Bracket 12.5" Height 18.5" Height
 UNI-2 UNI-3

Accessories - 20 gauge

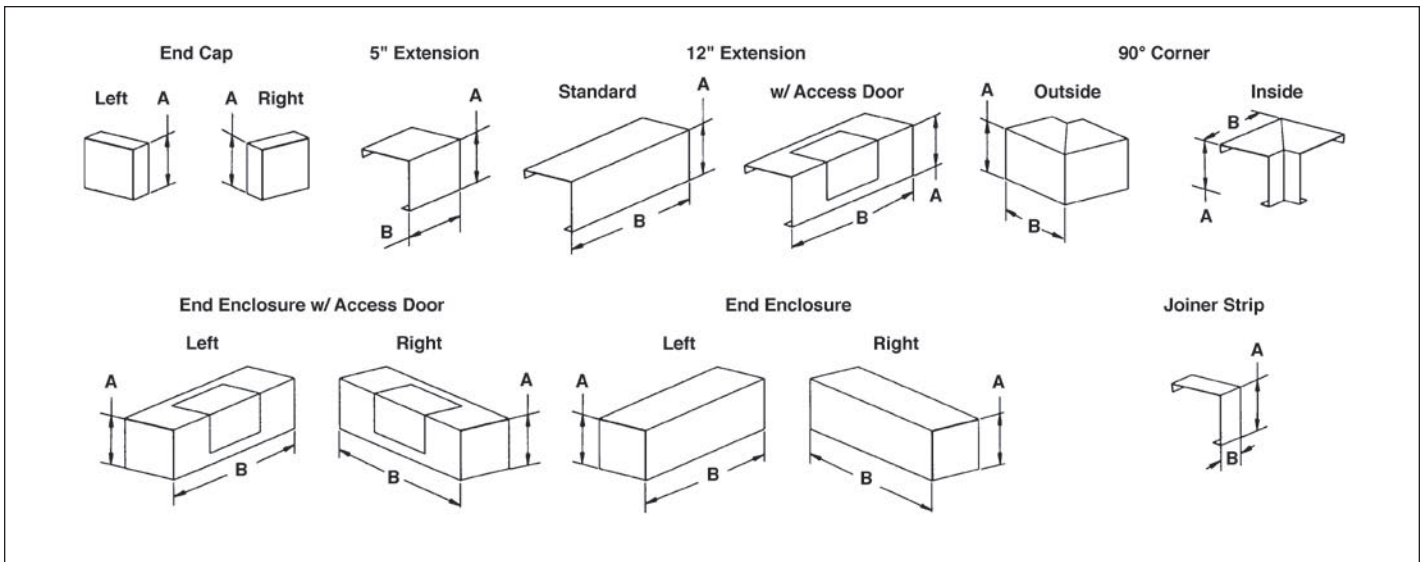
4.5" enclosure 12.5" enclosure 18.5" enclosure

- Wall support - left
- Wall support - right
- 5" Wide enclosure extension (O)
- 12" Wide enclosure extension (O)
- 12" Wide enclosure extension w/access door (O)
- 90° Inside corner (O)
- 90° Outside corner (O)

- 12" Wide end enclosure - left (S)
- 12" Wide end enclosure - right (S)
- 12" Wide end enclosure w/access door - left (S)
- 12" Wide end enclosure w/access door - right (S)
- End cap - left (S)
- End cap - right (S)
- Enclosure strap¹
- Joiner strip

(O) overlapping fit (S) slip joint fit to enclosure

¹ Two enclosure straps are required for 2 or 3 row high for enclosure lengths of 2' through 6'. Three are required for enclosure lengths 6'-6" through 8'.



Accessory Dimensions

Enclosure	Dim	12" Extension				90° Corner		End Enclosure	
		End Cap	5" Extension	Standard	w/Access Door	Inside	Outside	Standard	w/Access Door
FT	A	4.5/12.5/18.5	4.5/12.5/18.5	4.5/12.5/18.5	4.5/12.5/18.5	4.5/12.5/18.5	4.5/12.5/18.5	4.5/12.5/18.5	4.5/12.5/18.5
	B		5	12	12	6.03	6.03	12	12