

SUBMITTAL DATA convector model SL

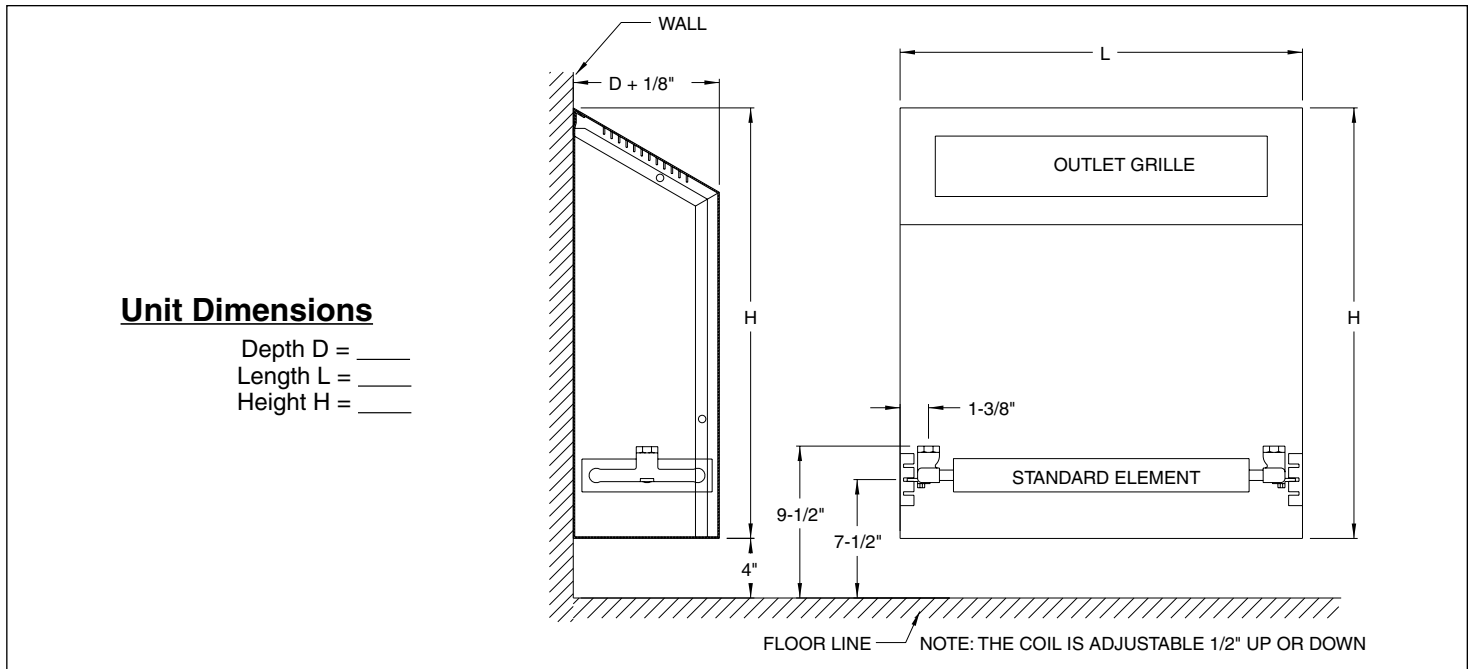
Model SL Slope-Top Wall Mounted

Job Name and Location _____ Date _____

Architect _____ Engineer _____ Sheet _____ of _____

Contractor _____ Order No. _____

Submitted by _____



Heating Element

Copper tube mechanically fastened to 0.010" aluminum fins.

Element to have a nominal depth of:

- 4" w/ 2 tubes 6" w/ 3 tubes 6" w/ 4 tubes

Standard cast brass headers with top and bottom connections

- Optional reverse header connections

Enclosure Specifications

Dimensions specified above

Enclosure metal gauge:

- | | |
|--|---|
| <input type="checkbox"/> 20 ga. liner, 18 ga. front (Standard) | <input type="checkbox"/> 20 ga. liner, 14 ga. front |
| <input type="checkbox"/> 18 ga. liner, 18 ga. front | <input type="checkbox"/> 18 ga. liner, 14 ga. front |
| <input type="checkbox"/> 20 ga. liner, 16 ga. front | <input type="checkbox"/> 16 ga. liner, 14 ga. front |
| <input type="checkbox"/> 18 ga. liner, 16 ga. front | <input type="checkbox"/> 14 ga. liner, 14 ga. front |
| <input type="checkbox"/> 16 ga. liner, 16 ga. front | |

Enclosure Color (see Color Chart):

- | | | | |
|---|--------------------------------|------------------------------------|-------------------------------|
| <input type="checkbox"/> Prime (Standard) | <input type="checkbox"/> Ivory | <input type="checkbox"/> Bronze | <input type="checkbox"/> Gray |
| <input type="checkbox"/> Beige | <input type="checkbox"/> White | <input type="checkbox"/> Dark Gray | |

Performance

Steam
Pressure: _____ psi
Entering Air Temp: _____ °F
Rating: _____ Btu/Hr

Hot Water
Avg. Water Temp.: _____ °F
Water Flow Rate: _____ GPM
Entering Air Temp: _____ °F
Rating: _____ Btu/Hr

Options

Dampers

- None (Standard) Security Allen Key
- Standard Knob

Grill

- Louvered (Standard) Bar Grill - Aluminum (Inlet/Outlet)
- Perforated (Inlet/Outlet)

Fasteners

- Phillips (Standard) Spanner

End Pockets

- Left Hand Right Hand Left & Right Hand

Insulation

- None Back Sides, Back, & Top

Other: _____

AIR13-410

Model SL Slope-Top Wall Mounted

Access Doors

- Available in any of the standard numbered locations illustrated.
- Hinged on the top of the convector with a piano type hinge.
- Located in end pockets on convectors with end pockets.
- Fasten with cam-type locking device.

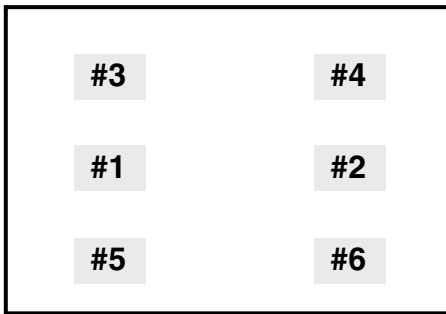
Access Doors Location

- 1 2

Access Door Hardware

- Slot Head (Standard)
 Security Allen Key Latch
 Security Spanner Head Latch

Convector Access Door Locations:



Model	Unit Height	Unit Lengths	# of Doors Available	Available Locations ^①	Door Size
SL	14" or 18"	All Lengths	2	1, 2	4"H x 5"W
	20" and over	All Lengths	2	1, 2	5"H x 5"W

^① Access Doors are not available in locations 5 and 6 with arched inlet.